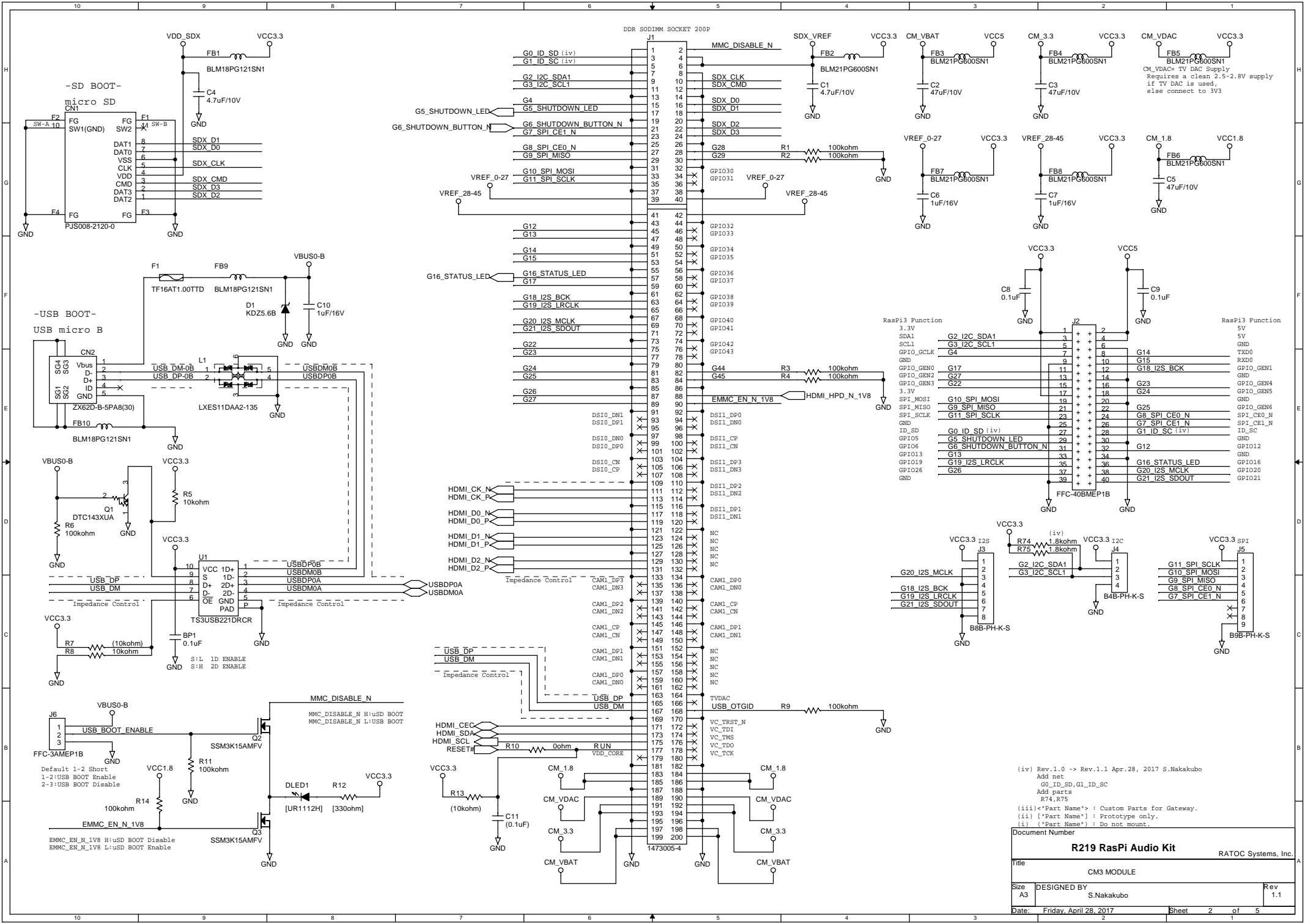


(iii) <*Part Name*> : Custom Parts for Gateway.
(ii) [*Part Name*] : Prototype only.
(i) (*Part Name*) : Do not mount.

Document Number		
R219 RasPi Audio Kit		RATOC Systems, Inc.
Title		
TOP		
Size	DESIGNED BY	Rev
A3	S.Nakakubo	1.1
Date:	Friday, April 28, 2017	Sheet 1 of 5



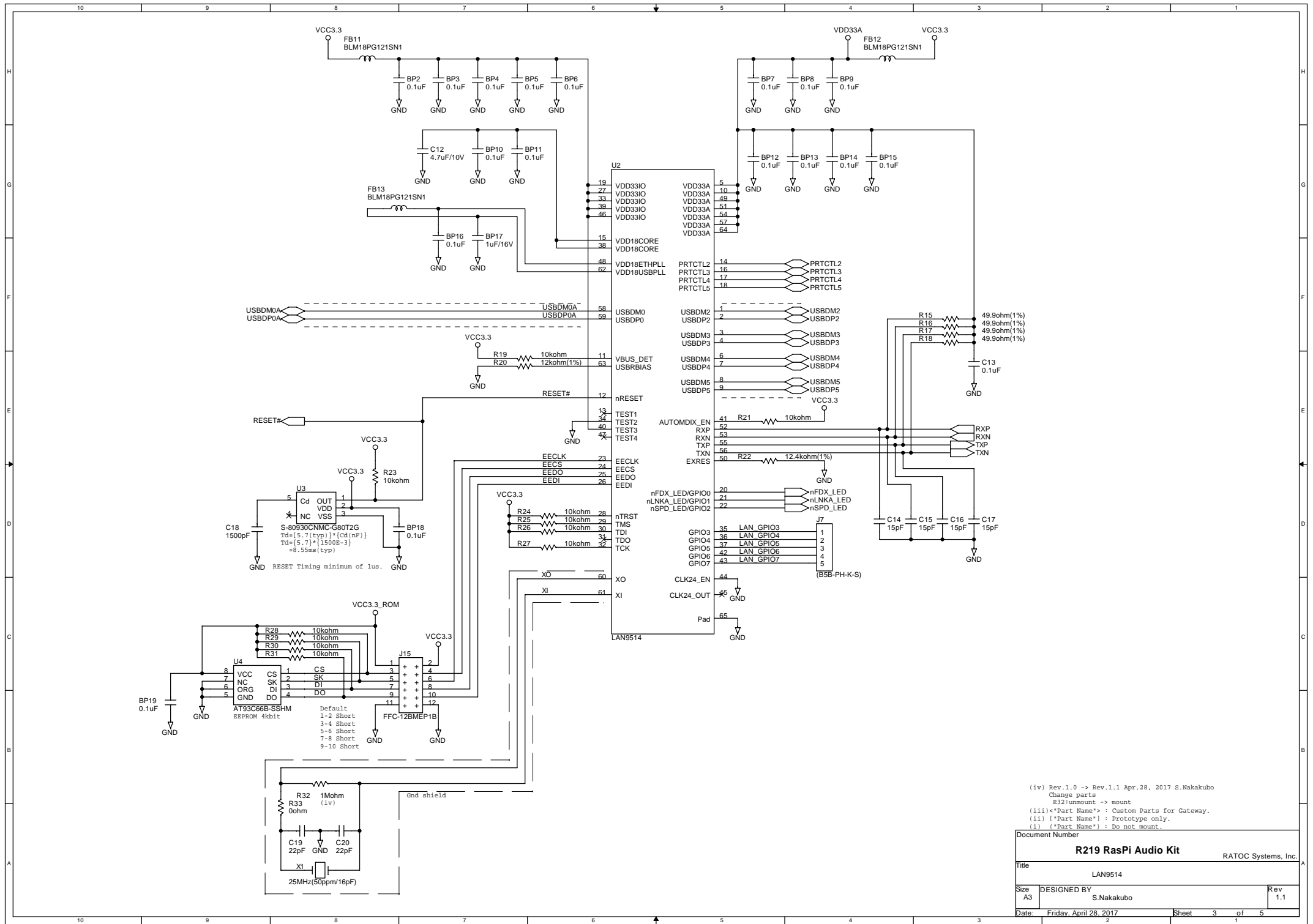
(iv) Rev.1.0 -> Rev.1.1 Apr.28, 2017 S.Nakakubo
 Add net
 G0_ID_SD,G1_ID_SC
 Add parts
 R74,R75
 (iii) *Part Name*: Custom Parts for Gateway.
 (ii) *Part Name*: Prototype only.
 (i) *Part Name*: Do not mount.

Document Number
R219 RasPi Audio Kit
 RATOC Systems, Inc.

Title
 CM3 MODULE

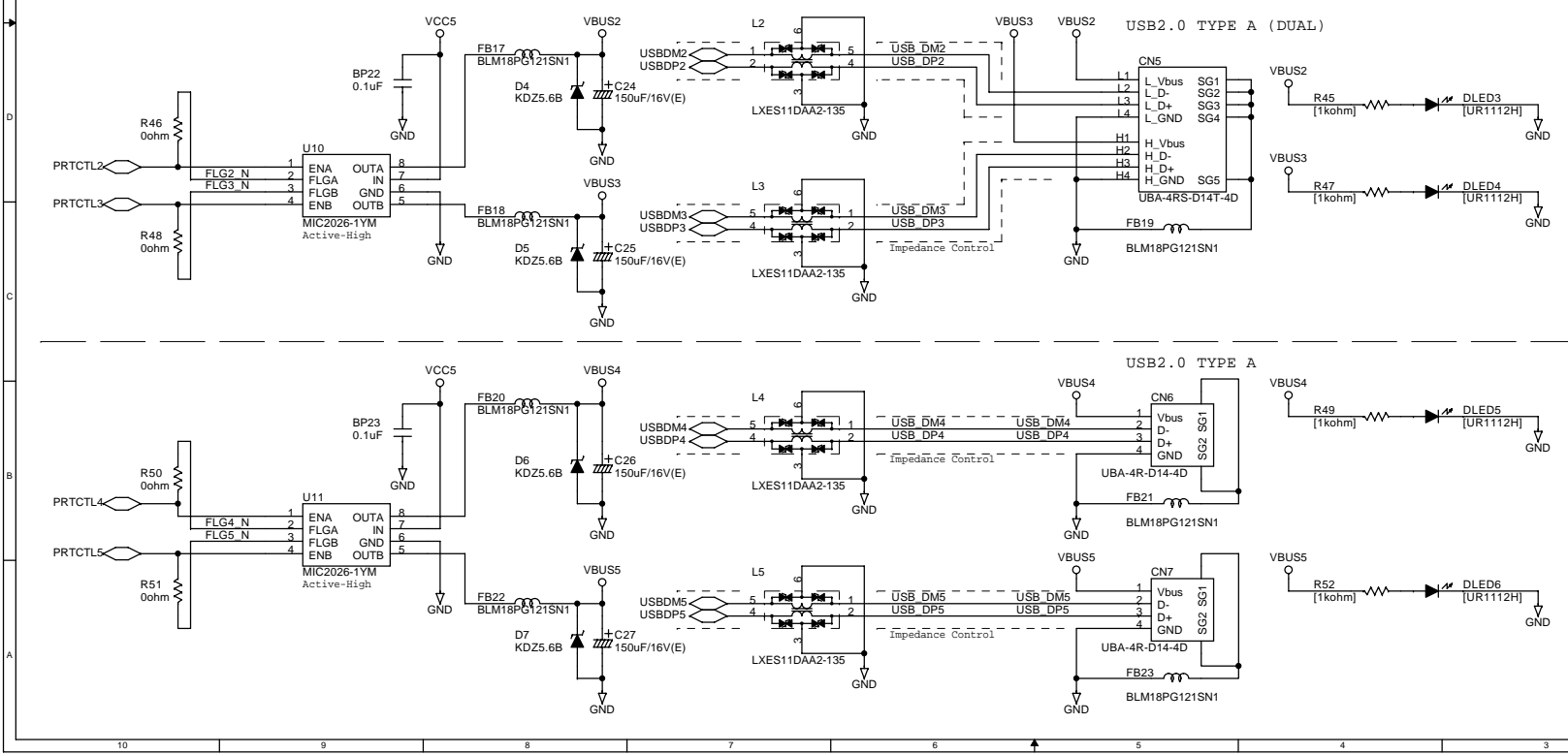
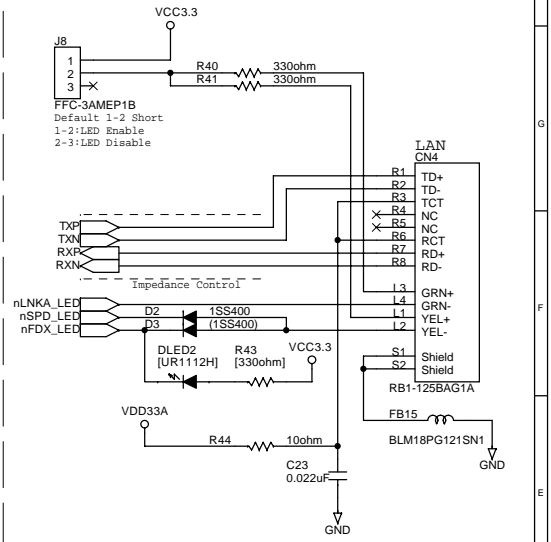
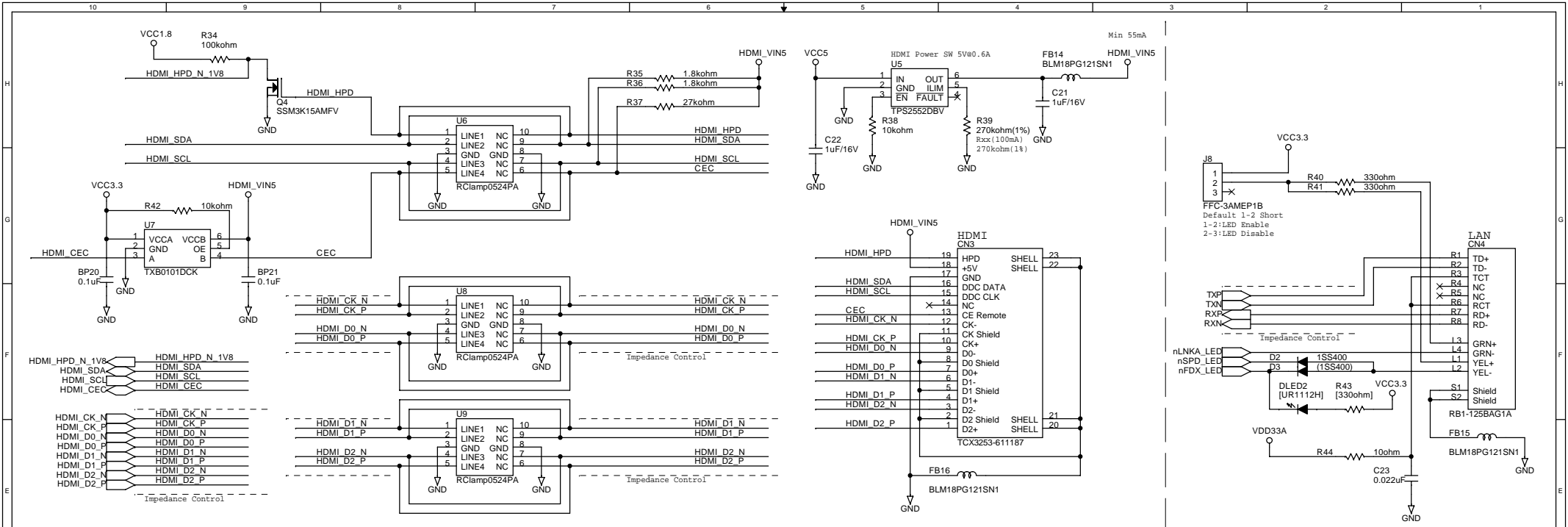
Size A3 DESIGNED BY S.Nakakubo Rev 1.1

Date: Friday, April 28, 2017 Sheet 2 of 5



(iv) Rev.1.0 -> Rev.1.1 Apr.28, 2017 S.Nakakubo
 Change parts
 R32:unmount -> mount
 (iii) [*Part Name*] : Custom Parts for Gateway.
 (ii) [*Part Name*] : Prototype only.
 (i) [*Part Name*] : Do not mount.

Document Number		R219 RasPi Audio Kit		RATOC Systems, Inc.	
Title		LAN9514			
Size	A3	DESIGNED BY	S.Nakakubo	Rev	1.1
Date:	Friday, April 28, 2017	Sheet	3	of	5



(iii) (*Part Name*): Custom Parts for Gateway.
(ii) (*Part Name*): Prototype only.
(i) (*Part Name*): Do not mount.

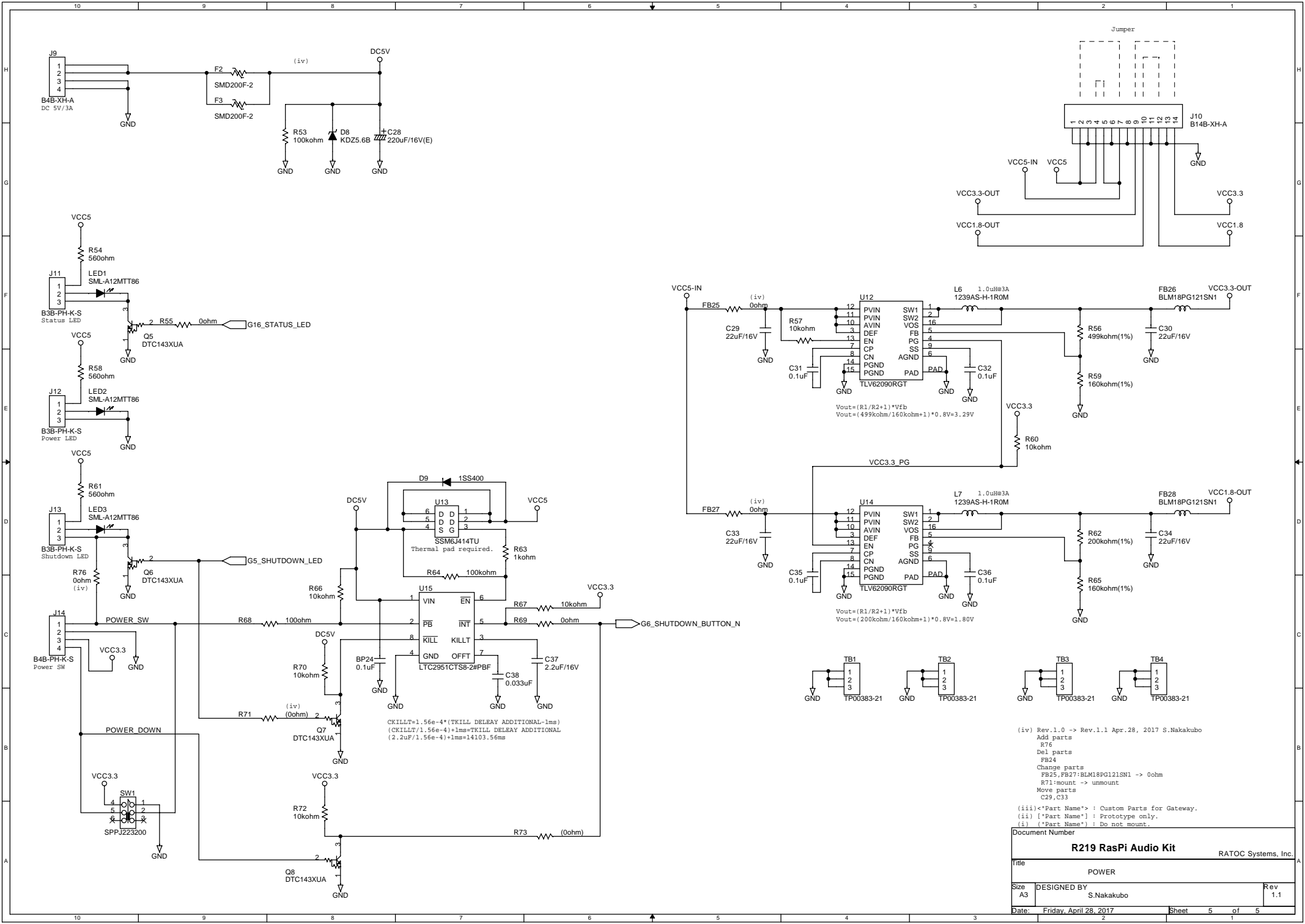
Document Number

R219 RasPi Audio Kit RATOC Systems, Inc.

Title CONNECTOR

Size A3 DESIGNED BY S.Nakakubo Rev 1.1

Date: Friday, April 28, 2017 Sheet 4 of 5



(iv) Rev.1.0 -> Rev.1.1 Apr. 28, 2017 S.Nakakubo
 Add parts
 R76
 Del parts
 FB24
 Change parts
 FB25,FB27:BLM18PG121SN1 -> 0ohm
 R71:mount -> unmount
 Move parts
 C29,C33
 (iii)<*Part Name> : Custom Parts for Gateway.
 (ii) [*Part Name] : Prototype only.
 (i) (*Part Name) : Do not mount.

Document Number		R219 RasPi Audio Kit		RATOC Systems, Inc.
Title		POWER		
Size	A3	DESIGNED BY	S.Nakakubo	
Rev	1.1			
Date:	Friday, April 28, 2017	Sheet	5	of 5