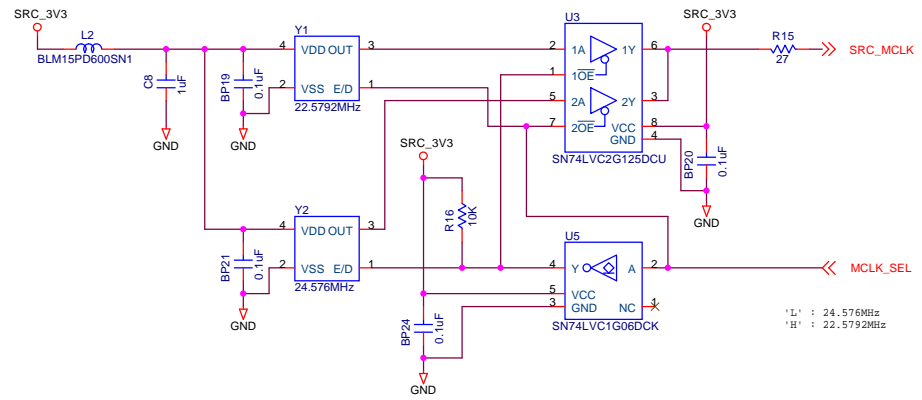
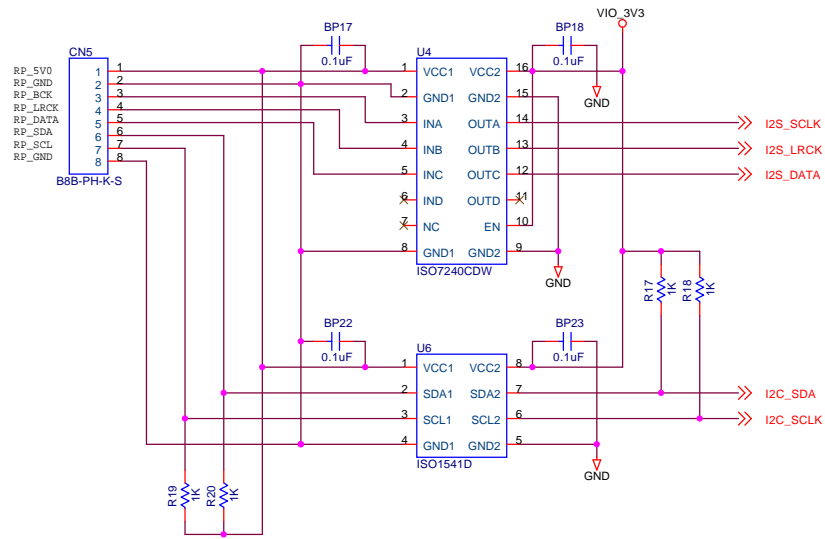
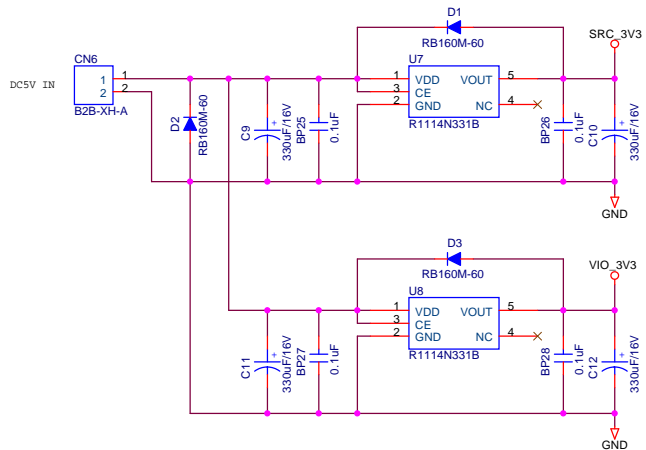


Document Number		
<b>Raspi_Audio</b>		
Title		RATOC Systems, Inc.
SRC Board		
Size	DESIGNED BY	Rev
A3	M.Masuda	1.0
Date:	Friday, October 07, 2016	Sheet 1 of 2



\*L : 24.576MHz  
\*H : 22.5792MHz



Document Number		
<b>Raspi_Audio</b>		
RATOC Systems, Inc.		
Title		
SRC Board		
Size	DESIGNED BY	Rev
A3	M.Masuda	1.0
Date:	Friday, October 07, 2016	Sheet 2 of 2